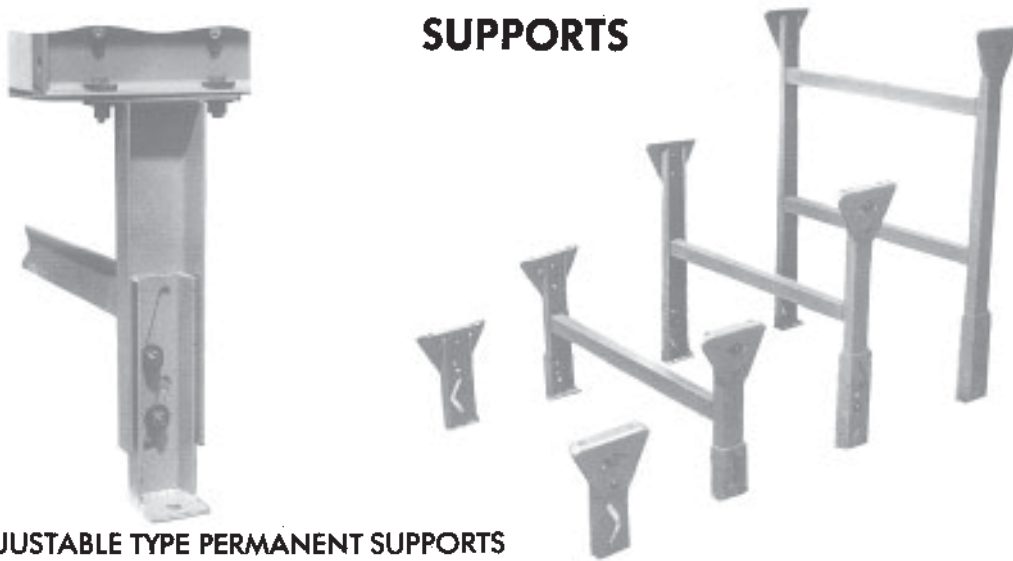




## SUPPORTS



### ADJUSTABLE TYPE PERMANENT SUPPORTS

Heavy duty roller conveyors are usually installed in a permanent position. For floor support at the desired height a series of adjustable, two-legged stands are available. Supports are of similar construction and in harmony with the conveyor frames.

### TYPE "S" SUPPORTS

Formed channel uprights provide maximum strength in minimum size and are connected by jig welded cross ties. Standard "Type S" supports have a load rating of 1500 lbs. per support, and are available in standard heights from 12" to 48" and for conveyor frames with "BETWEEN FRAMES" dimensions of 7" to 51".

The die formed S-102 gussets provide a broad supporting surface and slotted holes permit tilting the gusset to accommodate any conveyor angle up to 30 degrees.

The die formed S-103 telescoping boots with slotted connections provide an ingenious means of adjusting the elevation to meet normal floor variations. For normal loads the bolted construction provides adequate stability. For heavy loads or high impact conditions, the boot may be welded permanently after installation.

All "TYPE S" support "HEIGHT" dimensions are based **from floor to top of support.**

When ordering "TYPE S STANDS ONLY", it is imperative to specify the following:

- A. "HEIGHT" - floor to top of support.
- B. "BF" - between frame dimension.
- C. Roller diameter and size of frame.

### HEAVY DUTY SUPPORTS

Webb-Stiles heavy duty supports are constructed of structural channel for maximum strength and load capacity. They are connected by jig welded cross braces. Heavy duty supports have a load rating of 3000 lbs. per support, and are available in standard heights from 17" to 45" and conveyor frames with "BETWEEN FRAMES" dimensions of 7" to 51".

Both the standard and pitched heavy duty supports provide a broad supporting surface. The pitched support tilts to accommodate any conveyor angle up to 25 degrees.

Slotted connections provide for adjusting the elevation to meet normal floor variations plus or minus 3" of nominal support length. For normal loads the bolted construction provides adequate stability. For heavy loads or high impact conditions, the boot may be welded permanently after installation.

All "HEAVY DUTY SUPPORTS" "S.L." support length dimensions are based **from floor to top of support.**

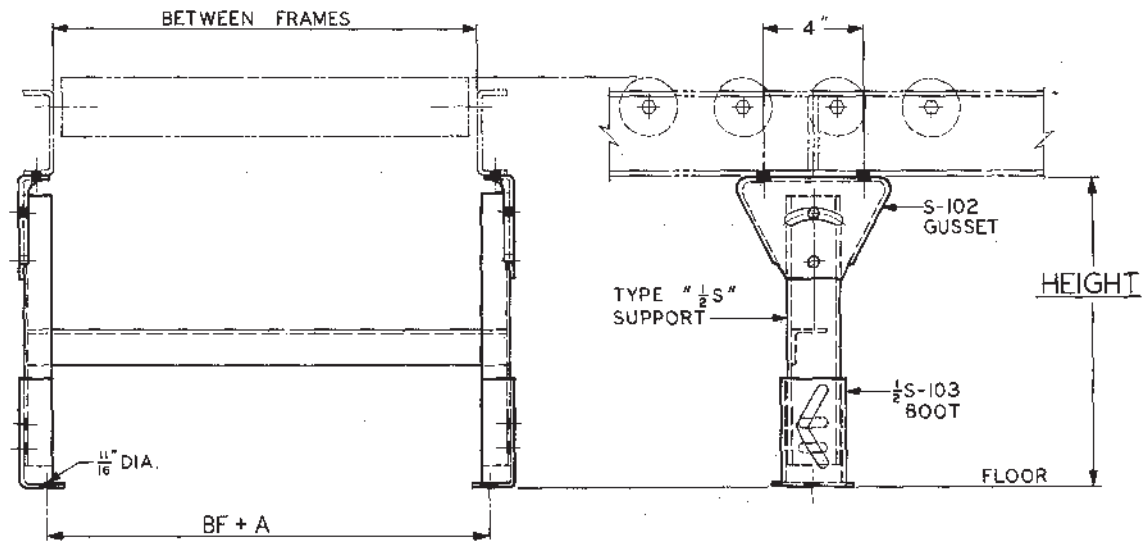
When ordering "HEAVY DUTY STANDS ONLY", it is imperative to specify the following:

- A. "S.L." Support Length - Floor to top of support.
- B. "B.F." - Between Frame dimensions.
- C. Roller diameter and size of frame.

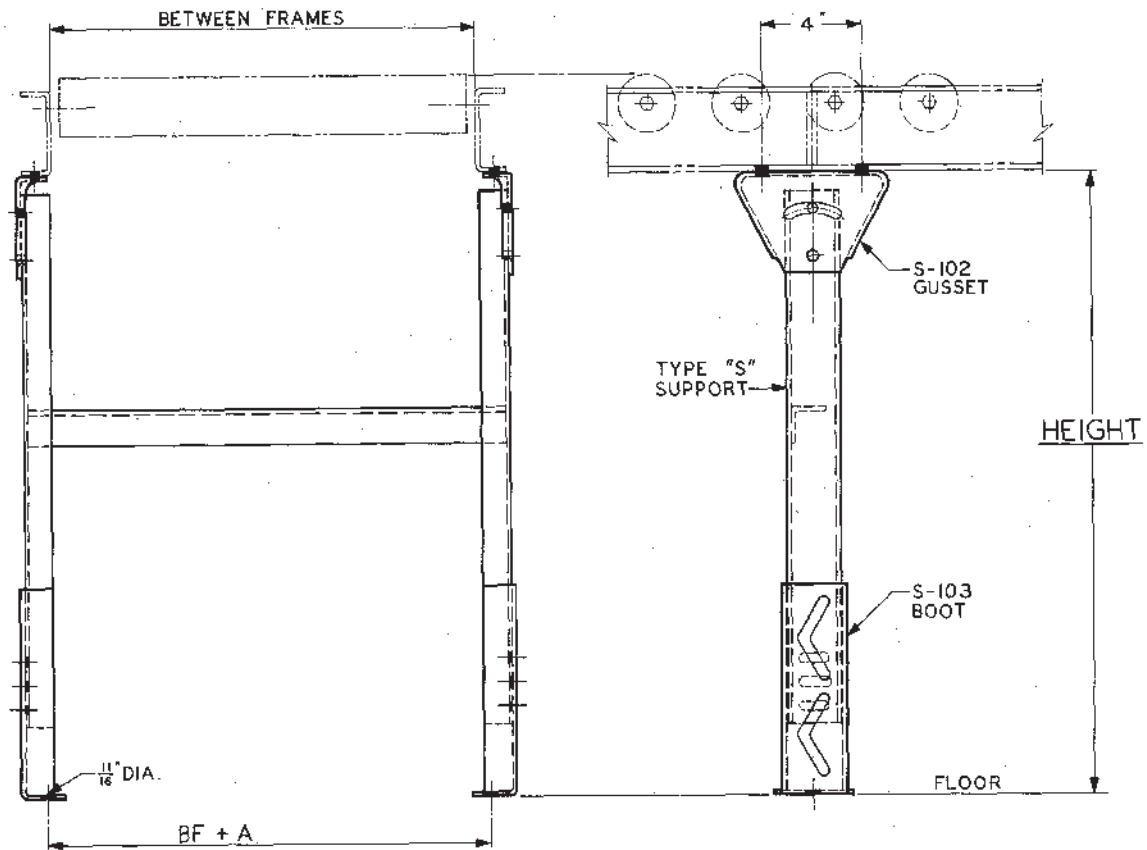
Ceiling supports and double deck type supports can be furnished as required.



# TYPE "S" SUPPORTS FOR FORMED CHANNEL FRAMES



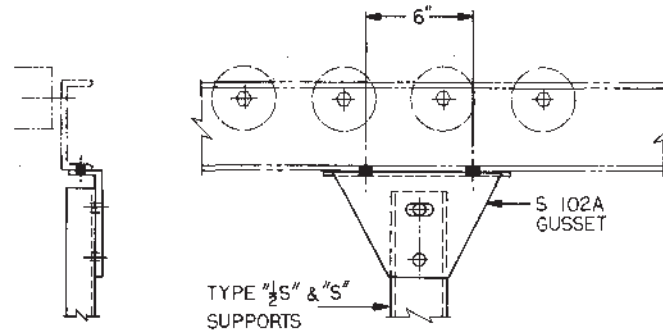
TYPE "1/2 S" SUPPORT



TYPE "S" SUPPORT



## TYPE "S" SUPPORTS FOR STRUCTURAL CHANNEL FRAMES



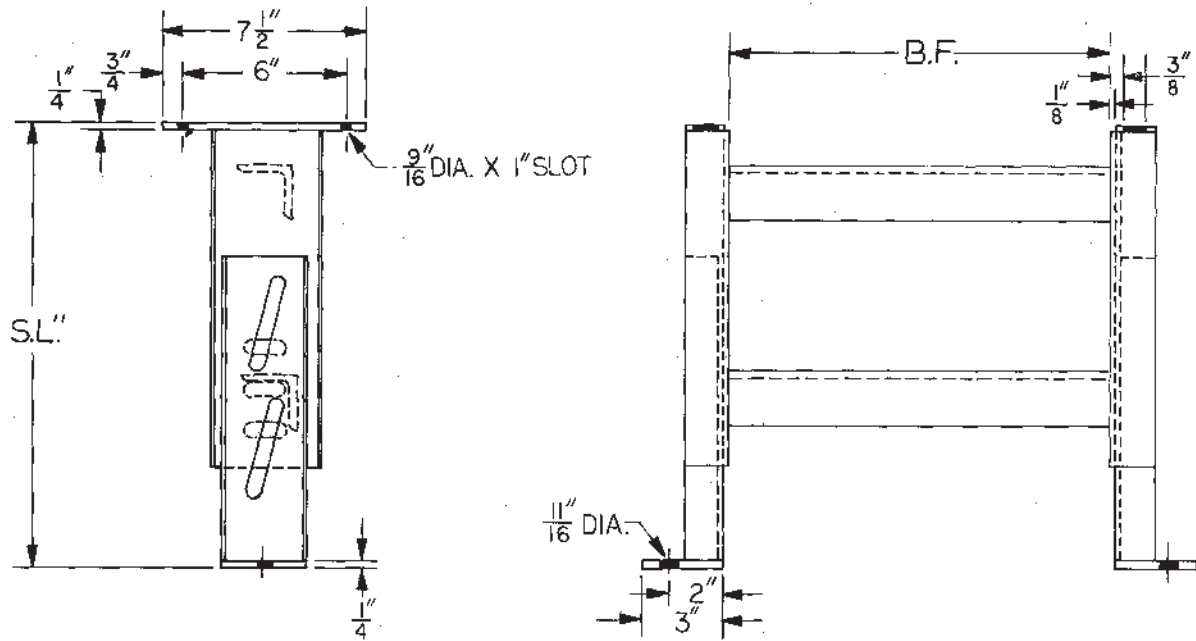
## ROLLER CONVEYOR SUPPORTS — SPECIFICATIONS 1500 LBS. CAPACITY

NO.	NOMINAL SUPPORT LENGTH	3 1/2" FORMED CHANNEL WITH S-102 GUSSET			4" STRUCTURAL CHANNEL WITH S-102A GUSSET			NO. OF CROSS BRACES	FRAME WIDTHS "BF" - STD.
		MIN. HEIGHT	MAX. HEIGHT	Dimension "A"	MIN. HEIGHT	MAX. HEIGHT	Dimension "A"		
1/2S1	10"	9 1/4"	11 1/4"	3/4"	9 3/8"	11 3/8"	5/8"	1	7" to 51"
1/2S2	11"	10 1/4"	12 1/4"	3/4"	10 3/8"	12 3/8"	5/8"	1	7" to 51"
1/2S3	12"	11 1/4"	13 1/4"	3/4"	11 3/8"	13 3/8"	5/8"	1	7" to 51"
1/2S4	13"	12 1/4"	14 1/4"	3/4"	12 3/8"	14 3/8"	5/8"	1	7" to 51"
1/2S5	14"	13 1/4"	15 1/4"	3/4"	13 3/8"	15 3/8"	5/8"	1	7" to 51"
S1	17"	14 1/4"	20 1/4"	3/4"	14 3/8"	20 3/8"	5/8"	1	7" to 51"
S2	20"	17 1/4"	23 1/4"	3/4"	17 3/8"	23 3/8"	5/8"	1	7" to 51"
S3	23"	20 1/4"	26 1/4"	3/4"	20 3/8"	26 3/8"	5/8"	1	7" to 51"
S4	26"	23 1/4"	29 1/4"	3/4"	23 3/8"	29 3/8"	5/8"	1	7" to 51"
S5	29"	26 1/4"	32 1/4"	3/4"	26 3/8"	32 3/8"	5/8"	2	7" to 51"
S6	32"	29 1/4"	35 1/4"	3/4"	29 3/8"	35 3/8"	5/8"	2	7" to 51"
S7	35"	32 1/4"	38 1/4"	3/4"	32 3/8"	38 3/8"	5/8"	2	7" to 51"
S8	38"	35 1/4"	41 1/4"	3/4"	35 3/8"	41 3/8"	5/8"	2	7" to 51"
S9	41"	38 1/4"	44 1/4"	3/4"	38 3/8"	44 3/8"	5/8"	2	7" to 51"
S10	44"	41 1/4"	47 1/4"	3/4"	41 3/8"	47 3/8"	5/8"	2	7" to 51"

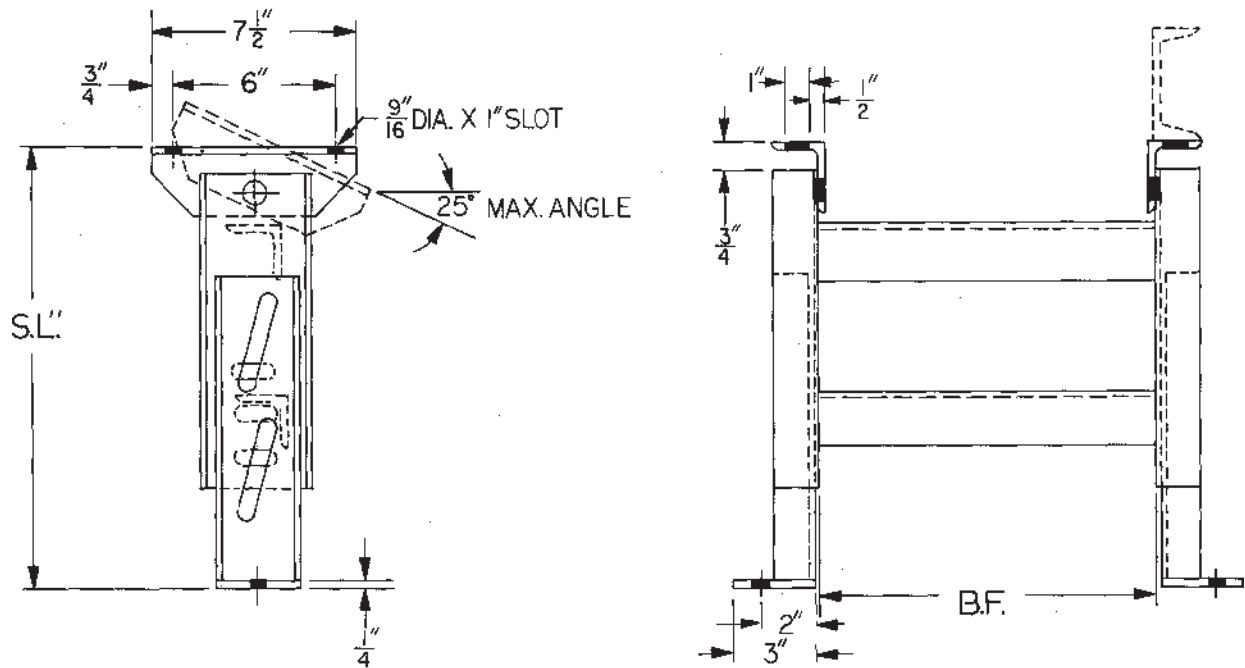
\*All heights given are floor to top of support.



# STRUCTURAL CHANNEL SUPPORTS



STANDARD HEAVY DUTY SUPPORTS



HEAVY DUTY SUPPORTS FOR PITCHED CONVEYORS



# STRUCTURAL CHANNEL SUPPORT — SPECIFICATIONS

## STANDARD HEAVY DUTY SUPPORTS

Nominal S.L. Support Length*	Min. Height	Max. Height	No. of Cross Braces	Frame Widths "BF"-STD.
15"	12"	18"	1	7" to 51"
16"	13"	19"	1	7" to 51"
17"	14"	20"	1	7" to 51"
18"	15"	21"	1	7" to 51"
19"	16"	22"	1	7" to 51"
20"	17"	23"	1	7" to 51"
21"	18"	24"	1	7" to 51"
22"	19"	25"	1	7" to 51"
23"	20"	26"	1	7" to 51"
24"	21"	27"	2	7" to 51"
25"	22"	28"	2	7" to 51"
26"	23"	29"	2	7" to 51"
27"	24"	30"	2	7" to 51"
28"	25"	31"	2	7" to 51"
29"	26"	32"	2	7" to 51"
30"	27"	33"	2	7" to 51"
31"	28"	34"	2	7" to 51"
32"	29"	35"	2	7" to 51"
33"	30"	36"	2	7" to 51"
34"	31"	37"	2	7" to 51"
35"	32"	38"	2	7" to 51"
36"	33"	39"	2	7" to 51"
37"	34"	40"	2	7" to 51"
38"	35"	41"	2	7" to 51"
39"	36"	42"	2	7" to 51"
40"	37"	43"	2	7" to 51"
41"	38"	44"	2	7" to 51"
42"	39"	45"	2	7" to 51"
43"	40"	46"	2	7" to 51"
44"	41"	47"	2	7" to 51"
45"	42"	48"	2	7" to 51"

\*All lengths given are floor to top of support

## HEAVY DUTY SUPPORTS FOR PITCHED CONVEYORS

Nominal S.L. Support Length*	Min. Height	Max. Height	No. of Cross Braces	Frame Widths "BF"-STD.
17"	14"	20"	1	7" to 51"
18"	15"	21"	1	7" to 51"
19"	16"	22"	1	7" to 51"
20"	17"	23"	1	7" to 51"
21"	18"	24"	1	7" to 51"
22"	19"	25"	1	7" to 51"
23"	20"	26"	1	7" to 51"
24"	21"	27"	2	7" to 51"
25"	22"	28"	2	7" to 51"
26"	23"	29"	2	7" to 51"
27"	24"	30"	2	7" to 51"
28"	25"	31"	2	7" to 51"
29"	26"	32"	2	7" to 51"
30"	27"	33"	2	7" to 51"
31"	28"	34"	2	7" to 51"
32"	29"	35"	2	7" to 51"
33"	30"	36"	2	7" to 51"
34"	31"	37"	2	7" to 51"
35"	32"	38"	2	7" to 51"
36"	33"	39"	2	7" to 51"
37"	34"	40"	2	7" to 51"
38"	35"	41"	2	7" to 51"
39"	36"	42"	2	7" to 51"
40"	37"	43"	2	7" to 51"
41"	38"	44"	2	7" to 51"
42"	39"	45"	2	7" to 51"
43"	40"	46"	2	7" to 51"
44"	41"	47"	2	7" to 51"
45"	42"	48"	2	7" to 51"

\*All lengths given are floor to top of support